

Work happily



V1.3

naggura'swop

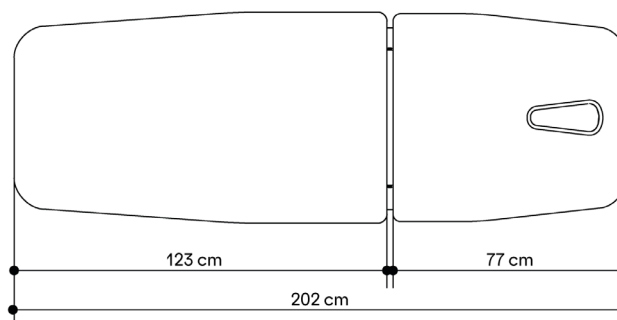
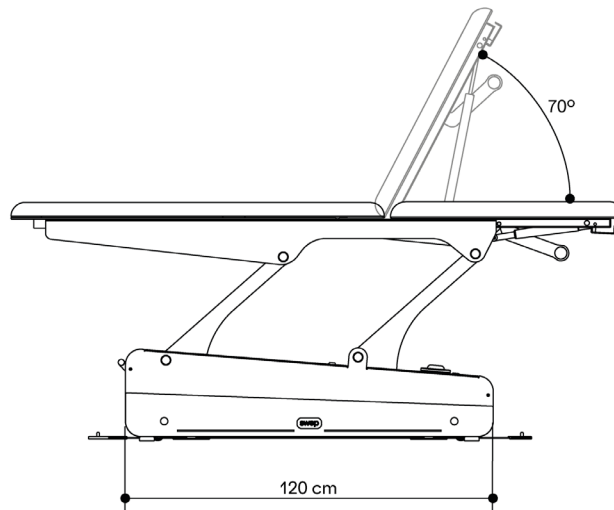
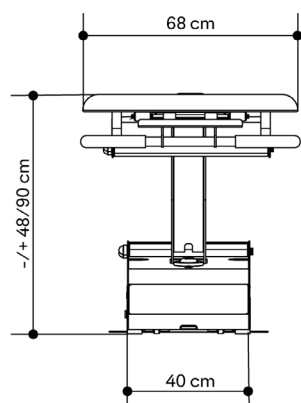
naggura.com

# Swop 2L Pro Physio

  Physiotherapy



## Dimensions



# Swop 2L Pro Physio



## General Specifications

### MOTORS

1 engine height (6000N)

### FRAME COLOUR

Space ball is RAL 7015  
Base Frame is RAL 7047

### DIMENSIONS (LENGTH X WIDTH)

202 x 68 cm

### INSULATION CLASS

Reinforced insulation II

### HEIGHT (MIN. AND MAX.)

48/90 cm

### PRODUCT CLASSIFICATION

Class I Equipment

### WEIGHT

96 kg

### APPLIED PARTS

Type B

### LIFTING CAPACITY

200 kg

### MOISTURE RESISTENCE

IPx0

### POWER SUPPLY

230 V - 50/60 Hz

### FEEDER CABLE

2,5m, white

## Operation

Long head section with 2 gas springs. Handlebar.

Space ball peripheral switch, easy access from all sides of the table.

4 wheels turning 360°. Fully integrated system underneath the base frame. 1 Central lever.

## Upholstery

Thickness: 5cm

Density: 40kg/m<sup>3</sup>

Breathing hole and plug.

Seamless upholstery with round edges.

Naggura Skin upholstery: 100% vinyl compound.

Protection against germs and UV rays.

Superior abrasion resistance: >250K cycles.

Flame retardancy: NF P 92-503/M2

Colour: Graphite

## Warranty and conformity

### WARRANTY

2 years on table and upholstery

### CONFORMITY

EN ISO 14971: 2019, EN ISO 20417:2021,

EN ISO 15223-1: 2016, ISO 10993-1: 2018,

EN ISO 10993-5: 2009, EN ISO 10993-10: 2013,

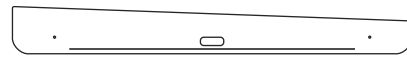
EN ISO 13485:2016,

EN 60601-2-52:2010+ AC:2011+A1:2015,

EN 60601-1-2:2015+ A1:2020,

EN 60601-1:2006+ A1:2013+AC:2014+A12:2014 +A2:2020

## Collections



### Nordic

METAL



Yellow



Blue



Pink

### Foll

METAL



Ash



Clay

### Iron

METAL



Inox



Black

### Om

WOOD



Oak



Wenge

### Techno

PMMA



Fluor



Fuxia



Ice

## Accessories

Paper roll holder



Bamboo Sound System



Bed Covers



## Safety

Safety switch with key (power off).

Motor with safety clutch.